

Miniature protected limit switch

→ Series 83 581

- Compact dimensions
- Contact element : IP67



Main specifications

		Telescopic top-mounted plunger	Plunger with axial roller	Plunger with 90° roller
Features	Function			
Standard	I (Changeover)	83 581 0	83 581 1	●
Dual-current	I (Changeover)	83 581 8	83 581 9	●
Mechanical characteristics				
Minimum operating force (N)		5	5	5
Minimum total travel force (N)		20	20	20
Differential travel (mm)		1	1	1
Minimum operating travel mm		2.5	2.5	2.5
Maximum total travel mm		5	5	5
Mechanical life (operations)		10 ⁵	10 ⁵	10 ⁵
Operating temperature (°C)		-20 → +85	-20 → +85	-20 → +85
Weight (g)		40	45	45
Connections				
Wire output on right		D	D	D
Wire output on left		G	G	G
Cable output		C	C	C

General characteristics

General characteristics	
Conformity to standards	NFC 20030 class II
Degree of protection IEC 60529	Outer casing : IP57 Contact element : IP67
Electrical characteristics	
Assigned operating current (Ie)	Standard : 8 A - 250 VAC Bi-niveau : 0.1 A - 250 VAC
Electrical endurance - Standard (operations)	8 A - 250 VAC : 40000 5 A - 250 VAC : 100000
Electrical endurance - Dual-current	This version is designed to operate both on dual-current (1 mA 4 V minimum) and medium-current (5A) circuits. However, a given product should only be used to switch one type of circuit during its working life.
Connections	
Connection	Flexible leads : PVC 3x1 mm ² - Length 0.50 m - ext. Ø 2 mm (on the right or left) Cable : 3x0.75 mm ² - Length 0.50 m - ext. Ø 5 mm (on left only)

Product adaptations



- Length of cable/connector
- Approvals

Principles

Function

Single break two-way contact element (form C : changeover)

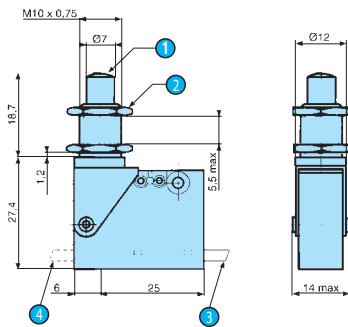


- ① Black (common)
- ② Brown (NC)
- ④ Blue (NO)

Dimensions

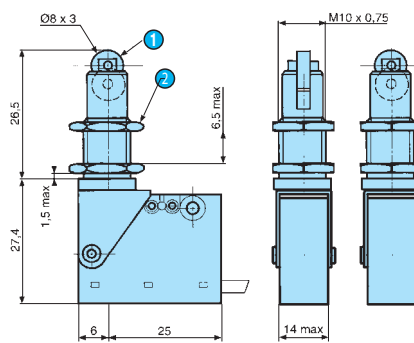
→ Product

83 581 0 / 83 581 8



- ① R10 spherical
- ② Nuts 14 across flats Thickness 2
- ③ Output on right
- ④ Output on left

83 581 1 / 83 581 9



- ① Roller is straight (standard) or at 90°
- ② Nut 14 across flats Thickness 2