




SUBMINIATURE PUSHBUTTONS AND TOGGLES

8354

Standard microswitches
83 132 0 83 133 0



General specifications
Layout
Function C/O (changeover) Form Za

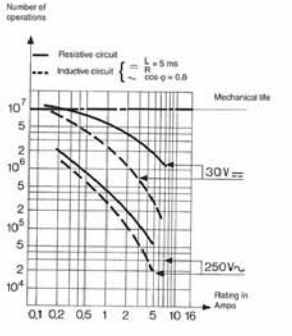



Approvals: UL - cUL on request

Electrical characteristics
Ie : 5 A - Ue : 250 V~

Thermal current : 11 A

Operating curve



Mounting - Operation
See basic technical concepts

Standard microswitches

Types	
Momentary action	1-pole
Maintained action	2-pole
Momentary action	1-pole
Maintained action	2-pole
Protection against electric shocks IEC 536 and NF 20030	
Features	
Telescopic button	
2 stable positions	
Presentation	
Threaded barrel	
Chrome-plated nuts	
Locating washer	
Chrome-plated toggle	
Connections	
83 132	83 133
W2 solder	W2 solder

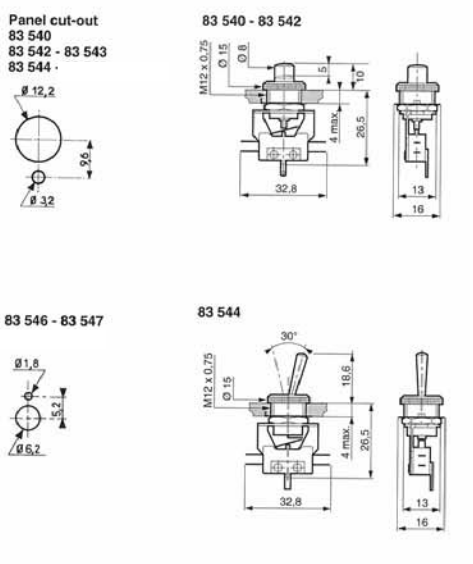
Mechanical characteristics

Mechanical durability of operating device (operating cycles)
Weight

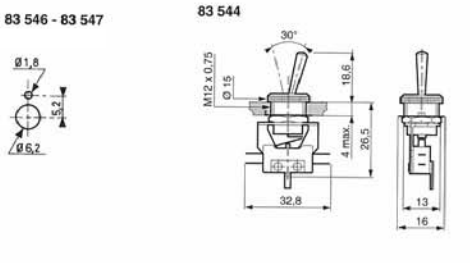

Dimensions		
83 132	83 133	83 130
5 x 10 ³	10 ³	5 x 10 ³
25	13	17

Panel cut-out

83 540
83 542 - 83 543
83 544

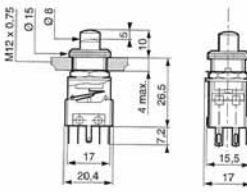


83 546 - 83 547

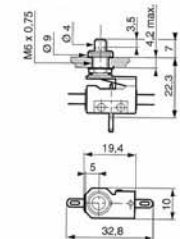



83 132 0			83 132 0		83 132 0
83 542 0	83 543 3	83 547 0	83 540 0	83 544 0	83 546 0
Class I	Class I	Class I	Class I	Class I	Class I
5 x 10 ³	10 ³	5 x 10 ³	5 x 10 ³	10 ³	10 ³
25	13	17	20	12	6.5

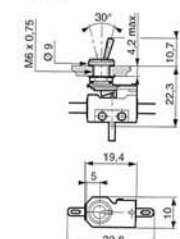
83 543



83 547

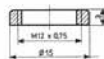


83 546



Accessories for threaded barrels

Knurled nuts



Material	Ø	Part number
Chrome-plated brass	12 x 0.75	70 162 306

Hexagonal nuts



Thickness	B	Ø	Part number
1.5	8	6 x 0.75	70 514 222
1.5	10	8 x 0.75	70 528 225
1.5	14	12 x 0.75	70 602 118

Bezels

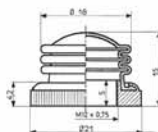


Material	Ø	Part number
Chrome-plated brass	6 x 0.75	70 514 221



Chrome-plated brass	12 x 0.75	70 602 117
---------------------	-----------	------------

Sealing caps (silicon rubber)



Colour	Ø	Part number
Black	12	70 135 750
Red	12	70 135 751